



# UP

*Collection of electrically height-adjustable desks designed to make office life more ergonomic and efficient. Ideal for working in a dynamic and sustainable way, stimulating physical and mental activity, both individual and collective. Single or bench versions are available with the possibility of equipping them with dividing screens.*



*The bench is the ideal tool to optimize work by alternating moments of standing and sitting, increasing concentration, reducing stress and improving efficiency in one's work.*



Il bench si impone per la sua struttura compatta e leggera. La regolazione differenziata dei piani e il pannello divisorio fisso consentono una reale indipendenza tra postazioni di lavoro.

*This bench stands out for its compact and light structure. The possibility to adjust the worktops and the partition screen allow total independence between workstations.*

*Le banc s'impose avec sa structure compacte et légère. Le réglage différencié des plateaux et l'écran fixe permettent une vraie indépendance entre les postes de travail.*





I bench sono affiancabili e sono l'ideale per creare composizioni estese con postazioni personali estremamente ergonomiche e riservate grazie all'utilizzo di pannelli fono assorbenti.

The benches can be placed side by side and are ideal for creating large compositions with extremely ergonomic and private personal workstations thanks to the use of sound-absorbing panels.

Les bancs peuvent être placés côte à côte et sont idéaux pour créer des compositions étendues avec des postes de travail personnels extrêmement ergonomiques et privés grâce à l'utilisation de panneaux insonorisants.

# UP LITE



# UP LITE PRO



**CARTELLA COLORI**  
*colours samples card*

**PIANI**  
tops



COD. 07  
NOCE CLASSICO | CLASSIC WALNUT ○



COD. 44  
STONE GREY | STONE GREY ○



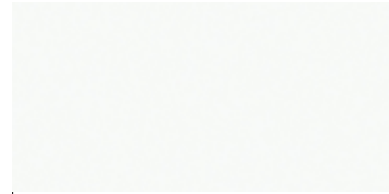
COD. 64  
PIOPPO LIGHT | LIGHT POPLAR ○



COD. 31  
ROVERE NIAGARA | NIAGARA OAK ○



COD. 59  
NERO | BLACK ○



COD. 68  
BIANCO | WHITE ○



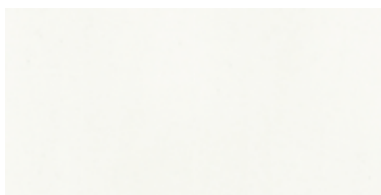
COD. 38  
GRIGIO | GREY ○



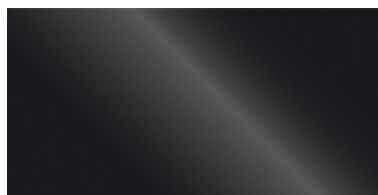
COD. 63  
PIOPPO MORO | DARK POPLAR ○

UP

**BASAMENTI METALLICI | METAL BASES**



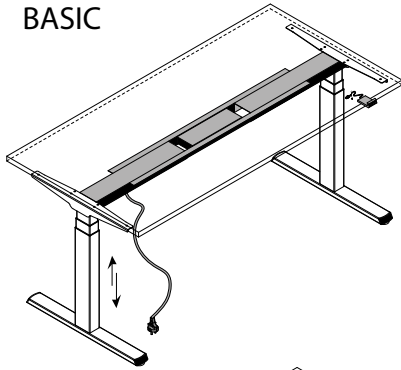
RAL 9016  
BIANCO | WHITE



RAL 9011  
NERO | BLACK

**SCRIVANIE GAMBE A "T" CON ALTEZZA REGOLABILE H.65÷130 (con sistema motorizzato)**  
**desks "T" legs with adjustable height h 65÷130 cms (with automatic system)**

**BASIC**

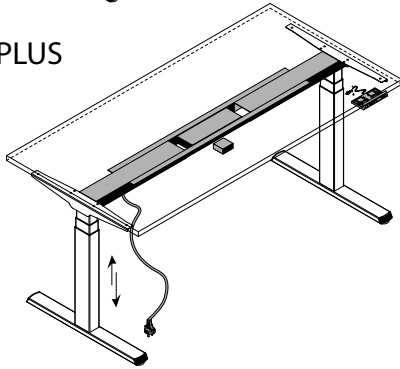


- SCRIVANIA BASIC COMPLETA DI:**
- STRUTTURA METALLICA MOTORIZZATA
  - CENTRALINA
  - PULSANTIERA
  - CAVO DI ALIMENTAZIONE EU
  - PIANO DI LAVORO

*DESK BASIC with:*

- metallic structure with automatic system
- control system
- control panel up/down
- power cable eu
- work top

**PLUS**

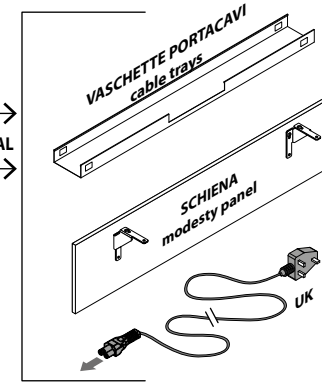
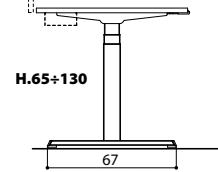


- SCRIVANIA PLUS COMPLETA DI:**
- STRUTTURA METALLICA MOTORIZZATA
  - CENTRALINA
  - PULSANTIERA "COMFORT"
  - SISTEMA ANTICOLLISIONE
  - CAVO DI ALIMENTAZIONE EU
  - PIANO DI LAVORO

*DESK PLUS with:*

- metallic structure with automatic system
- control system
- control panel up/down "comfort"
- anti-collision sensor
- power cable eu
- work top

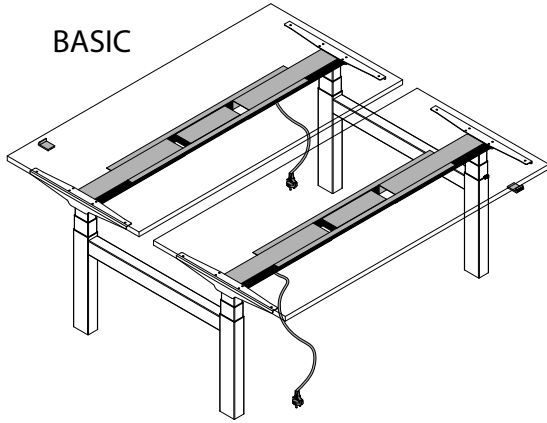
VEDI CAPITOLO  
 SCHERMI UNIVERSALI  
 PLEASE, YOU SEE  
 CHAPTER "UNIVERSAL SCREENS"



OPTIONAL

**BENCH CON ALTEZZA REGOLABILE H.65÷130 (con sistema motorizzato)**  
**BENCH with adjustable height h 65÷130 cms (with automatic system)**

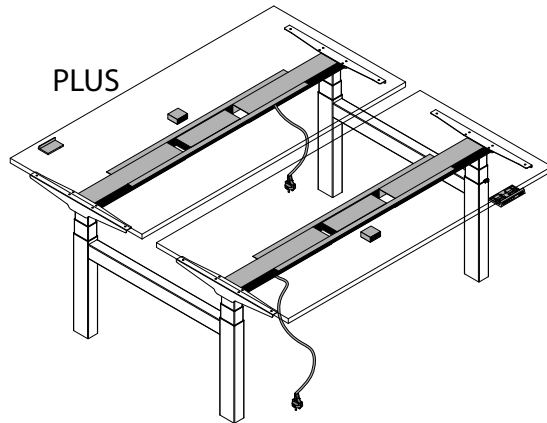
**BASIC**



*BENCH BASIC with:*

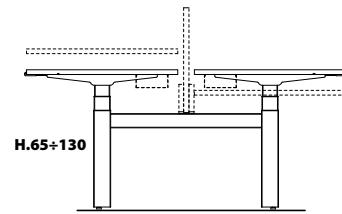
- metallic structure with automatic system
- control system
- control panel up/down
- power cables EU
- work tops

**PLUS**

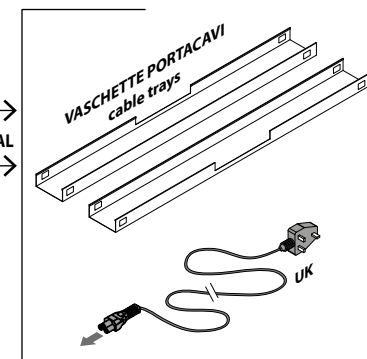


*BENCH PLUS with:*

- metallic structure with automatic system
- control system
- control panels up/down "comfort"
- anti-collision sensors
- power cables EU
- work tops



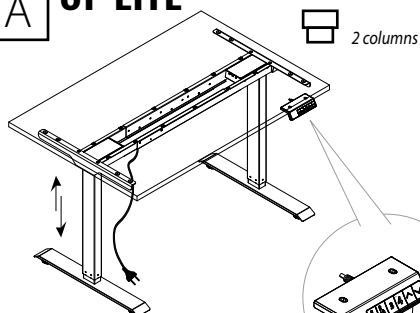
H.65÷130



OPTIONAL

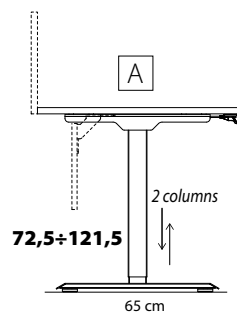
**UP LITE**  
 UP LITE

SCRIVANIE GAMBE A "T" CON ALTEZZA REGOLABILE (con sistema motorizzato)  
 desks "T" legs with adjustable height (with automatic system)

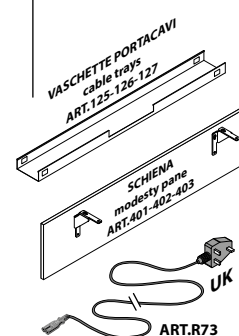
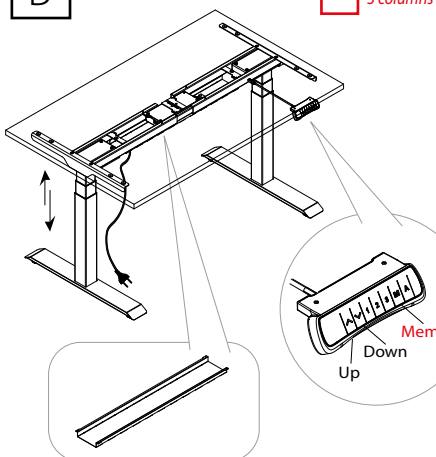
**A UP LITE**


2 columns

DESK "UP LITE" with:  
 - metallic structure with automatic system  
 - control system  
 - anti-collision sensor  
 - control panel up/down  
 - power cable eu w 300 cms  
 - work top

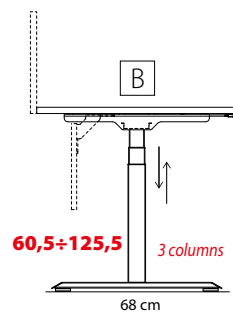


OPTIONAL

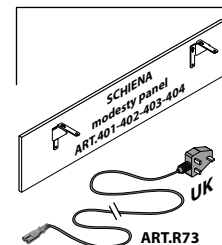

**B UP LITE PRO**


3 columns

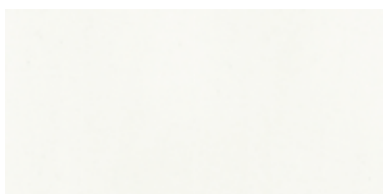
DESK "UP LITE PRO" with:  
 - metallic structure with automatic system  
 - control system  
 - anti-collision sensor  
 - control panel up/down "MEMORY"  
 - power cable eu w 300 cms  
 - cable tray  
 - work top



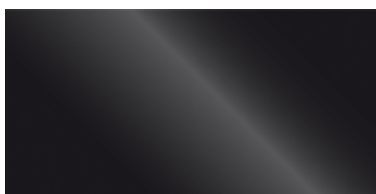
OPTIONAL



## | METAL BASES



RAL 9016  
 BIANCO | WHITE



RAL 9005  
 NERO | BLACK