

Piego



This collection is characterised by:

01/ Folding meeting tables available in 2 versions. **02/** With 18-mm thick worktops. **03/** Swivelling castors with brake. **04/** Shockproof closing system. **05/** Tables with folding legs available in 3 lengths, fixed and on castors. **06/** Tables with folding tops available in 3 lengths, fixed and on castors. **07/** Worktop levelling system. **08/** Fittings under the top to join the tables to each other. **09/** 3 finishes available for the metal frames. **10/** 3 wood finishes and 4 plain colours for the worktops. **11/** Cart to carry 5 tables.





Tavoli in varie finiture a libro, con piano ribaltabile o con gambe pieghevoli, pensati per ambienti polifunzionali in cui la riunione, la formazione o il lavoro di gruppo richiedono configurazioni facilmente modificabili e uno stoccaggio compatto e agevole.

Folding tables in various finishes, with folding top or folding legs, designed for multi-purpose environments where meetings, training or teamwork require easily modifiable configurations and compact and easy storage.

Tables avec différentes finitions pliants, plateau rabattable ou pieds pliants, conçus pour les environnements multi-fonction où les réunions, la formation ou le travail en groupe qui nécessitent des configurations facilement modifiables et un rangement compact et simple.



cod. 03

cod. 68



→ Tavoli ribaltabili con ruote con fermo a stoccaggio laterale.
Folding tables with castors and brake, for side storage.
Tables rabattables avec roues et blocage à rangement latérale.





← Configurazione lineari o articolate, con agganci reciproci sottopiano.
 Linear or articulated configurations, with reciprocal hooking under the worktop.
 Configuration linéaire ou articulée, avec accrochage au-dessous du plateau.

cod. 38



La struttura in acciaio è prevista in tre finiture ed è caratterizzata dalla forma conica del tubolare inferiore che conferisce notevole snellezza alla gamba.

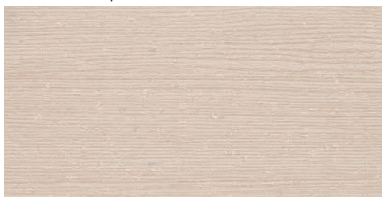
The steel structure comes in three finishes and is characterised by the conical shape of the lower tubular frame, that makes the leg slender and elegant.

La structure en acier est prévue en trois finitions et est caractérisée par la forme conique du tubulaire inférieur qui donne au pied une légèreté remarquable.



CARTELLA COLORI
colours samples card

PIANI | TOPS



COD. 03
ROVERE | OAK



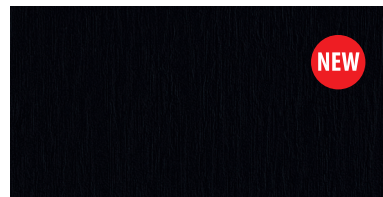
COD. 07
NOCE CLASSICO | CLASSIC WALNUT



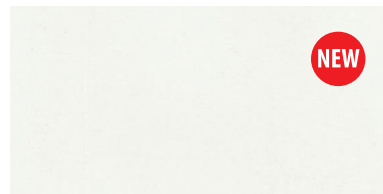
COD. 38
GRIGIO | GREY



COD. 44
STONE GREY | STONE GREY



COD. 51
NERO | BLACK



COD. 68
BIANCO | WHITE

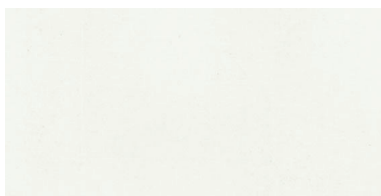


COD. 63
PIOPPO MORO | DARK POPLAR

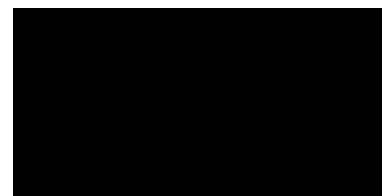
BASAMENTI METALLICI | METAL BASES



COD. CR 01
CROMATO | CHROMED



RAL 9010
BIANCO | WHITE



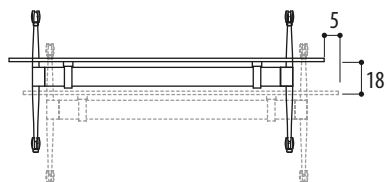
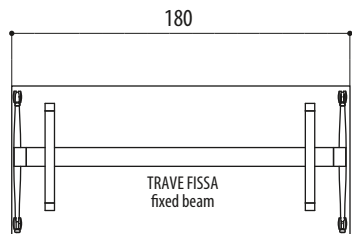
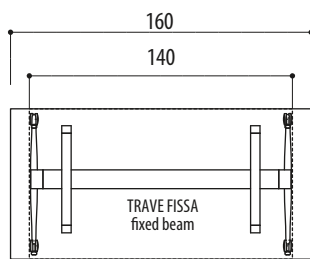
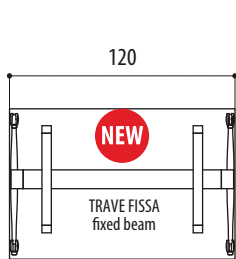
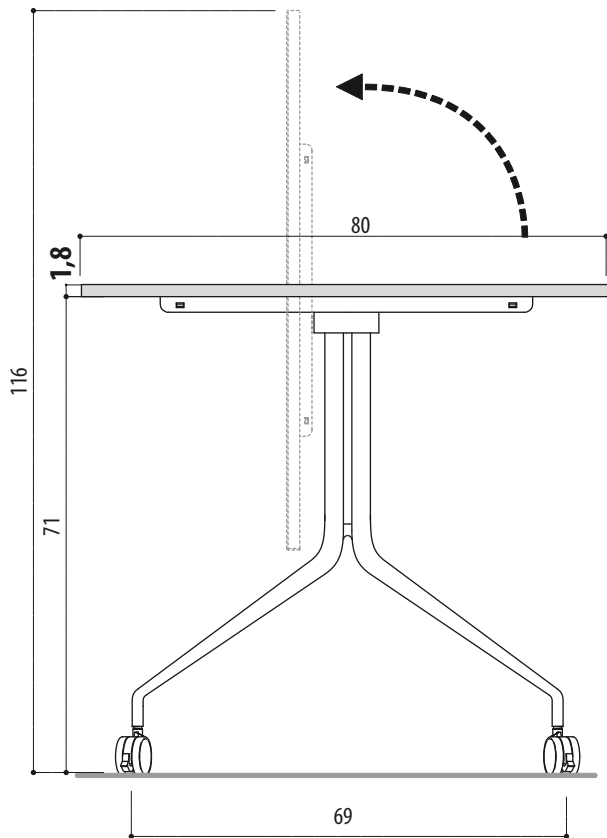
RAL 9005
NERO | BLACK

"PIEGO" - DIMENSIONI TAVOLI RIBALTABILI E PIEGHEVOLI (PIANI SP. 18MM)

"PIEGO" - dimension of tilting and folding tables (tops thick. 18 mm)

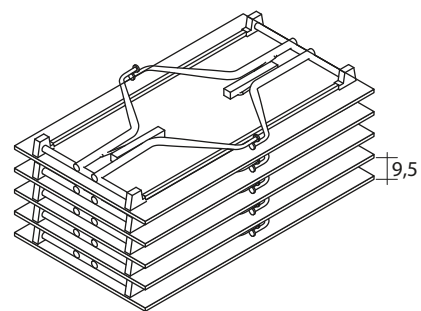
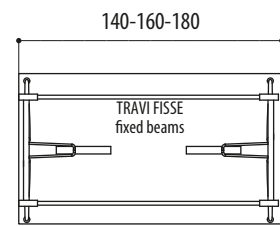
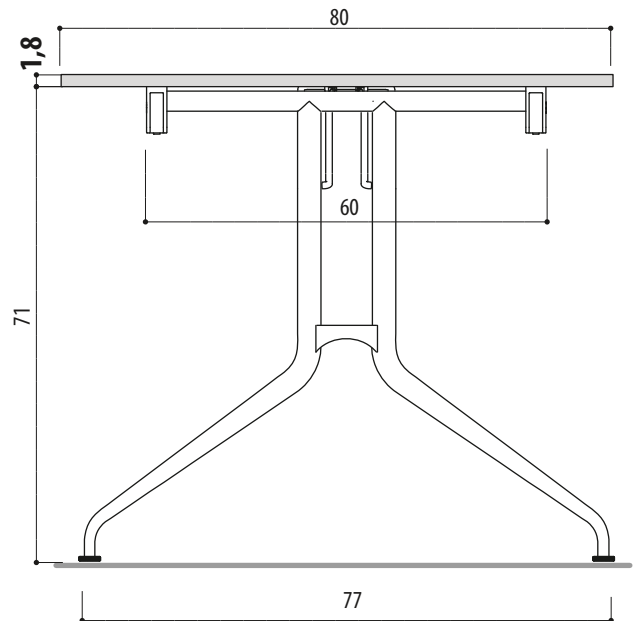
ART.007-001-002-003

TAVOLO CON PIANO RIBALTABILE
table with tilting top



ART.004-005-006

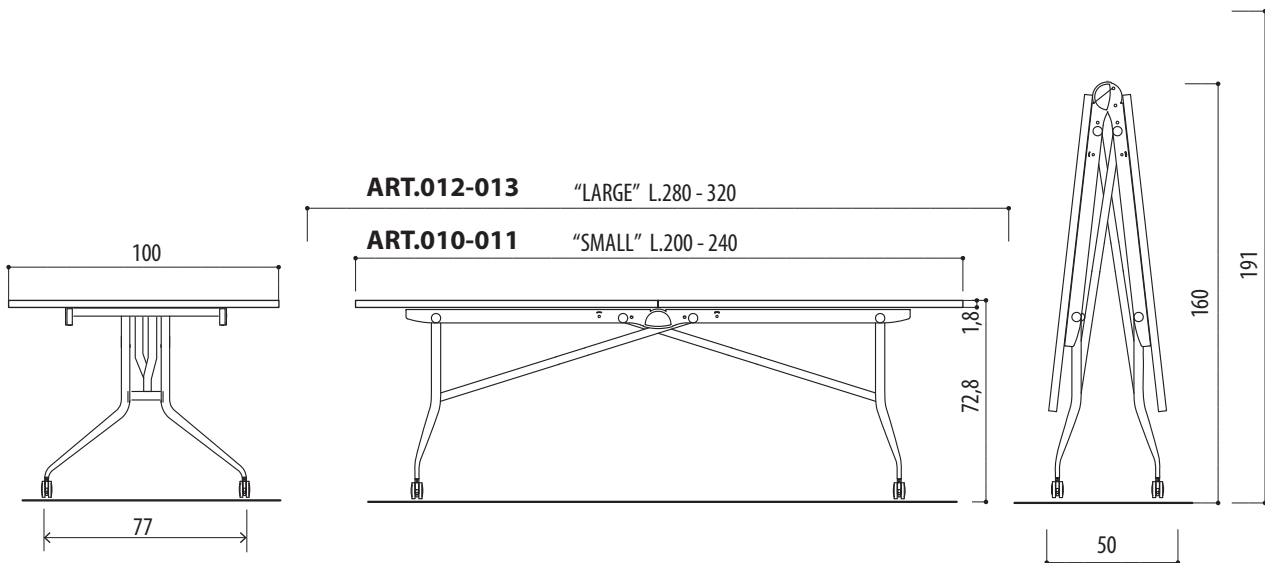
TAVOLO CON GAMBE PIEGHEVOLI
table with folding legs



IMPILABILE MAX 5 pz.
STACKABLE MAX 5 units

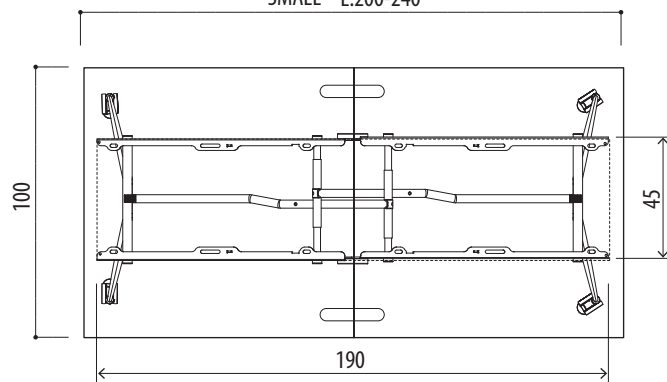
"PIEGO" - DIMENSIONI TAVOLO PIEGHEVOLE SU RUOTE (PIANI SP. 18MM)

"PIEGO" - dimensions of folding table on wheels (tops thick. 18 mm)



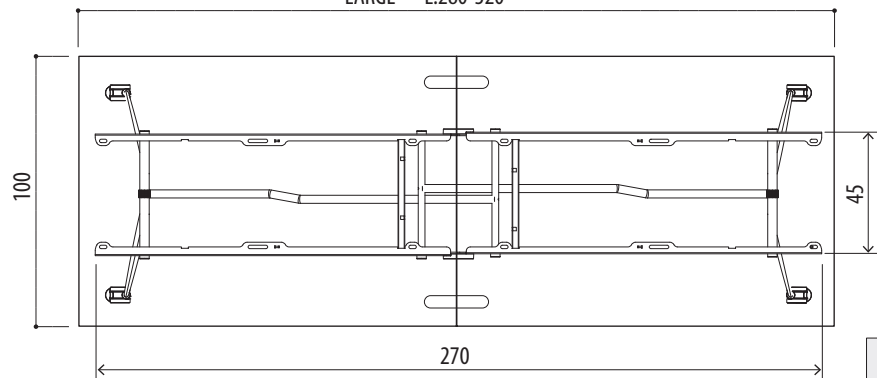
ART.010-011

"SMALL" L.200-240



ART.012-013

"LARGE" L.280-320



misure espresse in cm
measures on centimeters

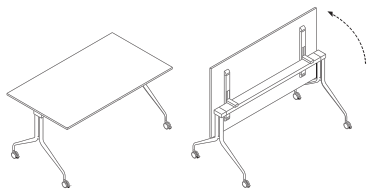
TAVOLI MULTIFUNZIONE

multipurpose tables

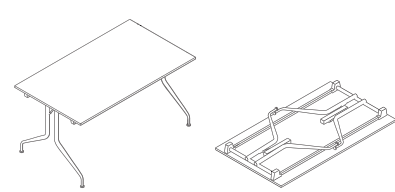
tables multifonction



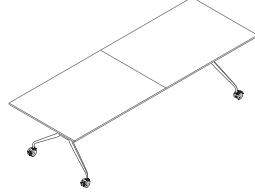
Piego
Tavoli | Tables | Tables



L 140 / 160 / 180
P 80
H 72,8

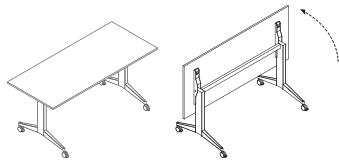


L 140 / 160 / 180
P 80
H 72,8

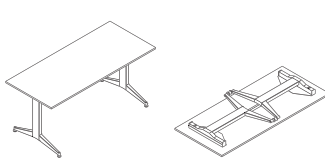


L 200 / 240
P 100
H 72,8

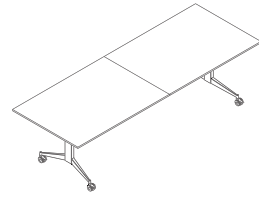
Chiudo
Tavoli | Tables | Tables



L 140 / 160 / 180
P 70
H 73,5

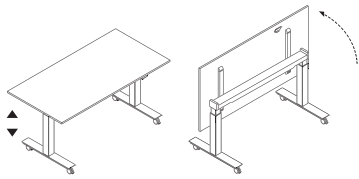


L 140 / 160 / 180
P 70
H 73,5

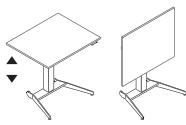


L 280 / 320
P 100
H 73,5

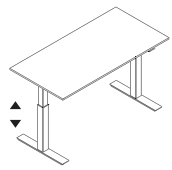
Seguo
Tavoli | Tables | Tables



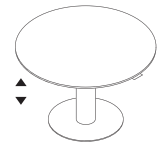
L 140 / 160 / 180
P 80
H 71,8▼ 111,8▲



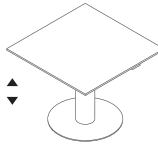
L 80
P 65
H 71,8▼ 109,8▲



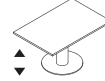
L 160 / 180
P 80
H 67,8▼ 117,8▲



Ø 150
H 67,8▼ 117,8▲



L 120
P 120
H 67,8▼ 117,8▲



L 90
P 60
H 47,5▼ 73,5▲