

Tera

Classic and timeless – Tera reception desk meets the expectations of those who favour simplicity and universal forms.

The combination of glossy HPL elements, with white or wood-like melamine plate that breaks the conservative patterns, is subtly indicating elegance

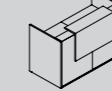
and prestige. Modular desk provides possibilities of creating various layouts: from small to complex workstations depending on the needs. By employing the low module with overhang worktop, the desk eases the communication with disabled customers. Tera is a perfect fit for a reception of law firms or hotel lobbies where it delicately highlights the high quality of service.



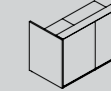
TRA13 856 / 820 / 1090
33 3/4" / 32 1/4" / 42 7/8"



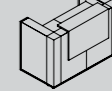
TRA14 1056 / 877 / 1159
41 5/8" / 34 1/2" / 45 5/8"
TRA15 1256 / 877 / 1159
49 1/2" / 34 1/2" / 45 5/8"
TRA16 1456 / 877 / 1159
57 3/8" / 34 1/2" / 45 5/8"



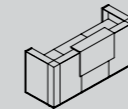
TRA17 1656 / 877 / 1159
65 1/4" / 34 1/2" / 45 5/8"
TRA18 2056 / 877 / 1159
81" / 34 1/2" / 45 5/8"
TRA19 2456 / 877 / 1159
96 3/4" / 34 1/2" / 45 5/8"
TRA20 2856 / 877 / 1159
112 1/2" / 34 1/2" / 45 5/8"



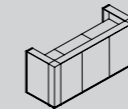
TRA117 1656 / 820 / 1159
65 1/4" / 32 1/4" / 45 5/8"
TRA118 2056 / 820 / 1159
81" / 32 1/4" / 45 5/8"
TRA119 2456 / 820 / 1159
96 3/4" / 32 1/4" / 45 5/8"
TRA120 2856 / 820 / 1159
112 1/2" / 32 1/4" / 45 5/8"



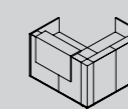
TRA42 1640 / 905 / 1159
64 5/8" / 35 5/8" / 45 5/8"



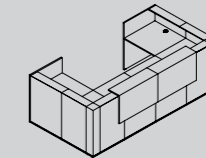
TRA21 2440 / 905 / 1159
96 1/8" / 35 5/8" / 45 5/8"
TRA22 2640 / 905 / 1159
103 7/8" / 35 5/8" / 45 5/8"
TRA23 2840 / 905 / 1159
111 3/4" / 35 5/8" / 45 5/8"
TRA24 3240 / 905 / 1159
119 5/8" / 35 5/8" / 45 5/8"



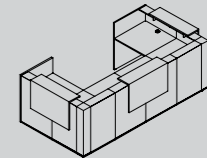
TRA121 2440 / 848 / 1159
96 1/8" / 33 3/8" / 45 5/8"
TRA122 2640 / 848 / 1159
103 7/8" / 33 3/8" / 45 5/8"
TRA123 2840 / 848 / 1159
111 3/4" / 33 3/8" / 45 5/8"
TRA124 3240 / 848 / 1159
119 5/8" / 33 3/8" / 45 5/8"



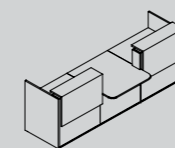
TRA25 1648 / 1705 / 1159
64 7/8" / 67 1/8" / 45 5/8"
TRA26 1848 / 1705 / 1159
72 3/4" / 67 1/8" / 45 5/8"
TRA27 2048 / 1705 / 1159
80 5/8" / 67 1/8" / 45 5/8"
TRA28 2248 / 1705 / 1159
88 1/2" / 67 1/8" / 45 5/8"



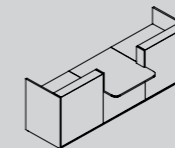
TRA29 3240 / 1705 / 1159
127 1/2" / 67 1/8" / 45 5/8"
TRA30 3640 / 1705 / 1159
143 1/4" / 67 1/8" / 45 5/8"
TRA31 4040 / 1705 / 1159
159" / 67 1/8" / 45 5/8"
TRA32 4440 / 1705 / 1159
174 3/4" / 67 1/8" / 45 5/8"



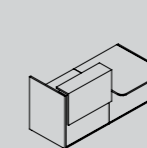
TRA129 3354 / 1705 / 1159
132" / 67 1/8" / 45 5/8"
TRA130 3754 / 1705 / 1159
147 3/4" / 67 1/8" / 45 5/8"
TRA131 4154 / 1705 / 1159
163 1/2" / 67 1/8" / 45 5/8"
TRA132 4554 / 1705 / 1159
179 1/4" / 67 1/8" / 45 5/8"



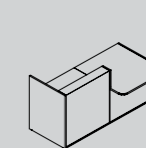
TRA33 3056 / 1120 / 1159
120 3/8" / 44 1/8" / 45 5/8"
TRA34 3456 / 1120 / 1159
136 1/8" / 44 1/8" / 45 5/8"
TRA35 3856 / 1120 / 1159
151 3/4" / 44 1/8" / 45 5/8"



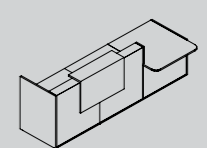
TRA133 3056 / 1120 / 1159
120 3/8" / 44 1/8" / 45 5/8"
TRA134 3456 / 1120 / 1159
136 1/8" / 44 1/8" / 45 5/8"
TRA135 3856 / 1120 / 1159
151 3/4" / 44 1/8" / 45 5/8"



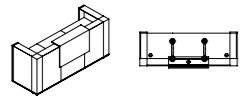
TRA36L 2056 / 1120 / 1159
81" / 44 1/8" / 45 5/8"
TRA36P 2056 / 1120 / 1159
81" / 44 1/8" / 45 5/8"
TRA37L 2256 / 1120 / 1159
88 7/8" / 44 1/8" / 45 5/8"
TRA37P 2256 / 1120 / 1159
88 7/8" / 44 1/8" / 45 5/8"
TRA38L 2456 / 1120 / 1159
96 3/4" / 44 1/8" / 45 5/8"
TRA38P 2456 / 1120 / 1159
96 3/4" / 44 1/8" / 45 5/8"



TRA136L 2056 / 1120 / 1159
81" / 44 1/8" / 45 5/8"
TRA136P 2056 / 1120 / 1159
81" / 44 1/8" / 45 5/8"
TRA137L 2256 / 1120 / 1159
88 7/8" / 44 1/8" / 45 5/8"
TRA137P 2256 / 1120 / 1159
88 7/8" / 44 1/8" / 45 5/8"
TRA138L 2456 / 1120 / 1159
96 3/4" / 44 1/8" / 45 5/8"
TRA138P 2456 / 1120 / 1159
96 3/4" / 44 1/8" / 45 5/8"

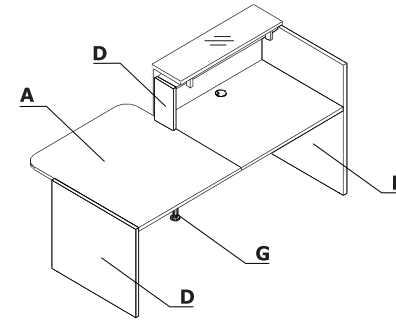
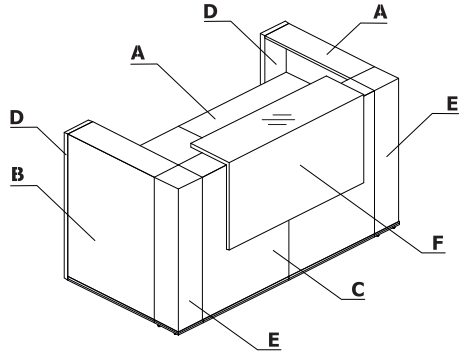


TRA39L 3056 / 1120 / 1159
120 3/8" / 44 1/8" / 45 5/8"
TRA39P 3056 / 1120 / 1159
120 3/8" / 44 1/8" / 45 5/8"
TRA40L 3456 / 1120 / 1159
136 1/8" / 44 1/8" / 45 5/8"
TRA40P 3456 / 1120 / 1159
136 1/8" / 44 1/8" / 45 5/8"
TRA41L 3856 / 1120 / 1159
151 3/4" / 44 1/8" / 45 5/8"
TRA41P 3856 / 1120 / 1159
151 3/4" / 44 1/8" / 45 5/8"





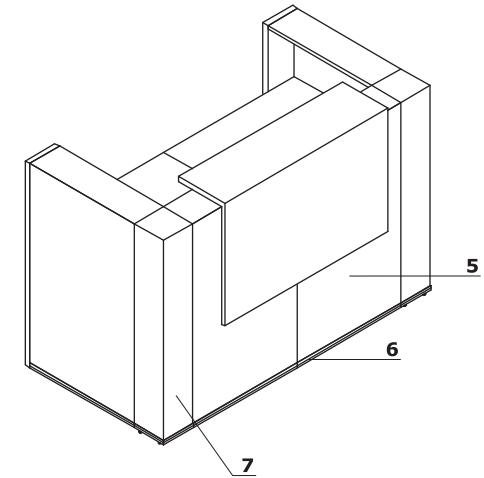
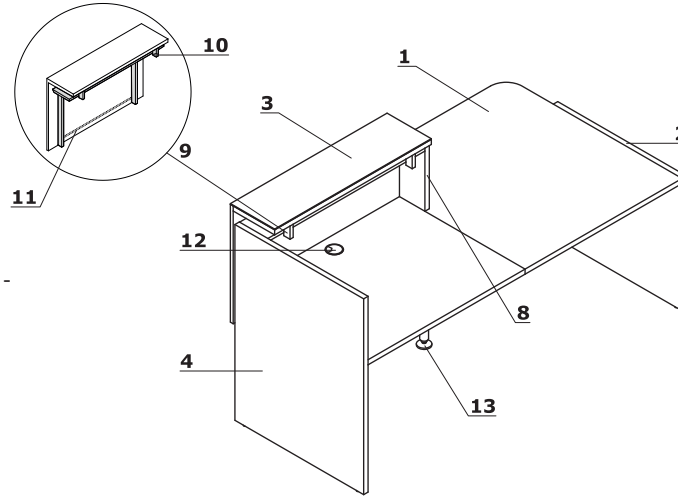
Farbkombination - Tera



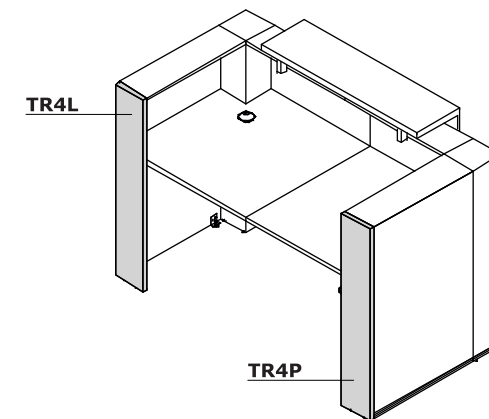
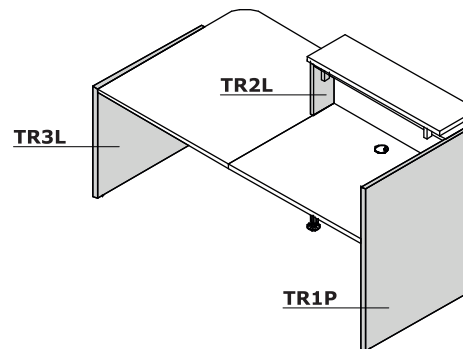
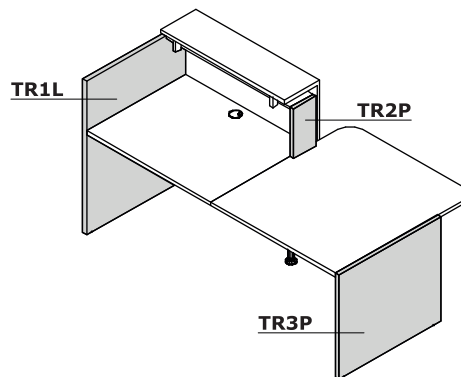
Material	Farbe	Alle Elemente													
		A - Oberplatte, Arbeitsplatte	B - Korpus	C - Front	D - Endelemente	E - Würfelfuß	F - Ansatz	G - Stützfuß							
Melamin	31 - kanadische Eiche	✓	✓	✓	✓			M009 - aluminium halbmatt RAL 9006							
	67 - weiß Pastell	✓	✓	✓	✓			M015 - weiß halbmatt RAL 9010							
	106 - Nussbaum	✓	✓	✓	✓			M115 - schwarz halbmatt RAL 9005							
	26 - aluminium satinato	✓	✓	✓	✓			M009 - aluminium halbmatt RAL 9006							
	154 - anthrazit	✓	✓	✓	✓			M115 - schwarz halbmatt RAL 9005							
	39 - Polarbirke	✓	✓	✓	✓			M009 - aluminium halbmatt RAL 9006							
	64 - Kakao	✓	✓	✓	✓			M115 - schwarz halbmatt RAL 9005							
	08 - schwarz	✓	✓	✓	✓			M115 - schwarz halbmatt RAL 9005							
	167 - Eiche Grau	✓	✓	✓	✓			M115 - schwarz halbmatt RAL 9005							
	168 - Eiche Natur	✓	✓	✓	✓			M115 - schwarz halbmatt RAL 9005							
	169 - Honigeiche	✓	✓	✓	✓			M115 - schwarz halbmatt RAL 9005							
	170 - Akazie	✓	✓	✓	✓			M115 - schwarz halbmatt RAL 9005							
	171 - Walnuss dunkel	✓	✓	✓	✓			M115 - schwarz halbmatt RAL 9005							
HPL	73 - weiß Glanz					✓	✓								
	101 - schwarz Glanz					✓	✓								
	155 - anthrazit Glanz					✓	✓								

Technische Beschreibung

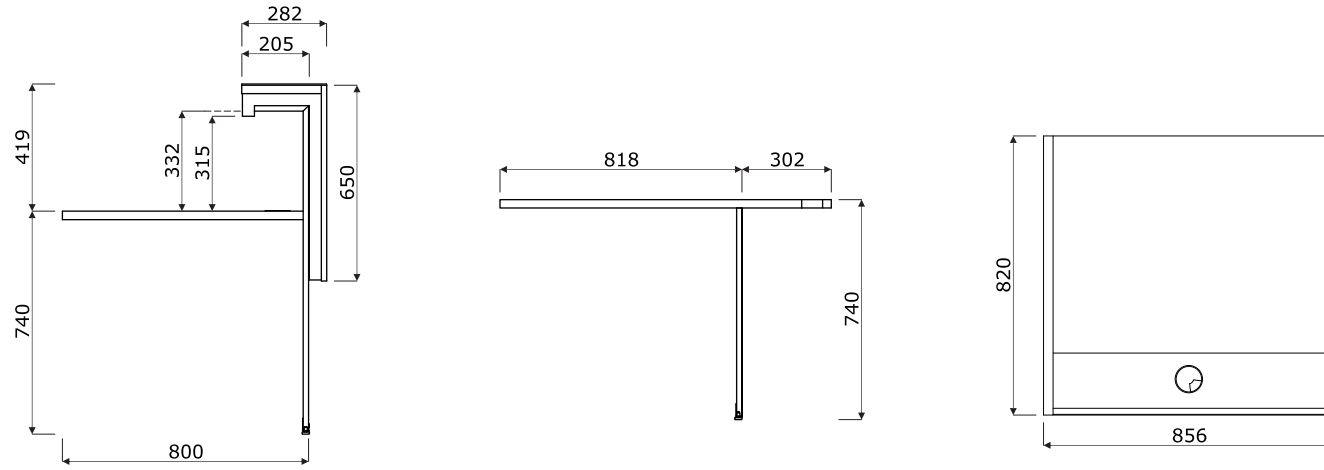
- 1 Arbeitsplatte** - Melaminplatte 28 mm, Umleimer ABS 2 mm
- 2 Niedrige Seite** - Melaminplatte 28 mm, Umleimer ABS 2 mm
- 3 Ansatz** - Oberplatte Melaminplatte 28 mm + Glas LACOBEL 4 mm, Front Melaminplatte 18 mm, beschichtet mit HPL Hochglanz
- 4 Hohe Seite** - Melaminplatte 28 mm, Umleimer ABS 2 mm
- 5 Front** - Melaminplatte 18 mm, Umleimer ABS 2 mm
- 6 Dekorstreifen** - PVC, M009 - aluminium halbmat
- 7 Würfelfuß** - Melaminplatte, mit HPL Hochglanz beschichtet
- 8 Seite Verbindung der niedrigen und hohen Theken** - Melaminplatte 28 mm, Umleimer ABS 2 mm
- 9 Stellage** - Metall, pulverbeschichtet, Weiß
- 10 Beleuchtungsschalter**
- 11 LED** - Beleuchtung - Farbe Weiß, kalter Farbton (Weiß spielt leicht ins Blau);
- 12 Kabeldurchlässe** - Ø80 mm
- 13 Stützfuß NL41** - aus Metall, bei Verbindung der Platten notwendig



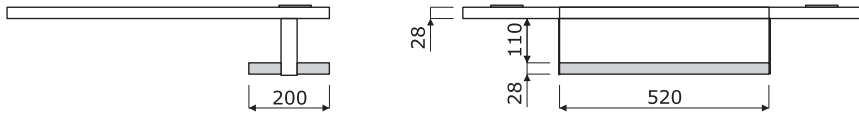
Verwendung von endelementen



Abmessungen (mm)






Abmessungen - Monitorboden (mm)



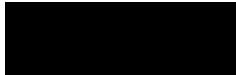

Melamin

 08 - schwarz	 26 - aluminium satinato	 31 - kanadische Eiche	 64 - Kakao	 67 - weiß Pastell	 106 - Nussbaum	 167 - Eiche Grau	 168 - Eiche Natur
 169 - Honigeiche	 170 - Akazie	 172 - Bernstein Eiche	 173 - Robinie				

Metall

 M009 - aluminium halbmatt RAL 9006	 M015 - weiß halbmatt RAL 9010	 M115 - schwarz halbmatt RAL 9005
--	---	--

HPL

 73 - weiß Glanz	 101 - schwarz Glanz	 155 - anthrazit Glanz					
--	--	--	--	--	--	--	--